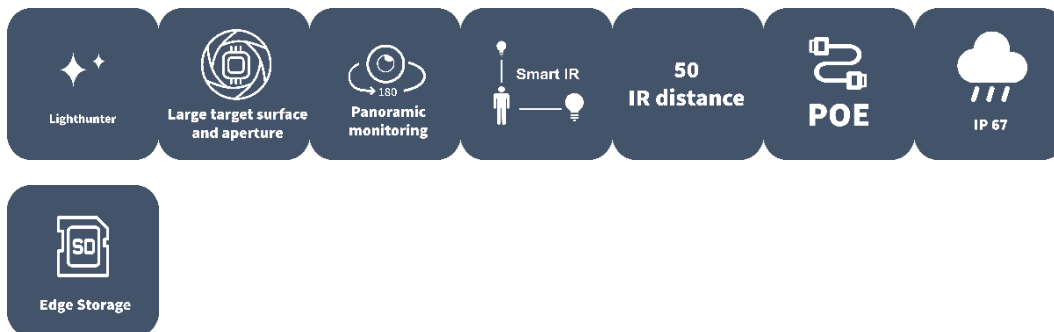


16MP LightHunter 180° OmniView Network Camera

IPC8544EA-KM-I1



Features

- High quality image with 16MP, 1/1.8" CMOS sensor 4800*2688@30fps in the main stream offers 180 panoramic view, and 16:9 ratio can better fit the screen
- Smart IR, up to 50m (164 ft) IR distance
- Built-in fan, allows dissipating heat and eliminating the mist of window
- Ultra 265, H.265, H.264, MJPEG
- 2D/3D DNR (Digital Noise Reduction)
- AC24V, DC24V or PoE(IEEE 802.3at) power supply
- Micro SD, up to 256 GB
- Alarm 2 in and 1 out, Audio 1 in and 1 out
- IP67 ingress protection

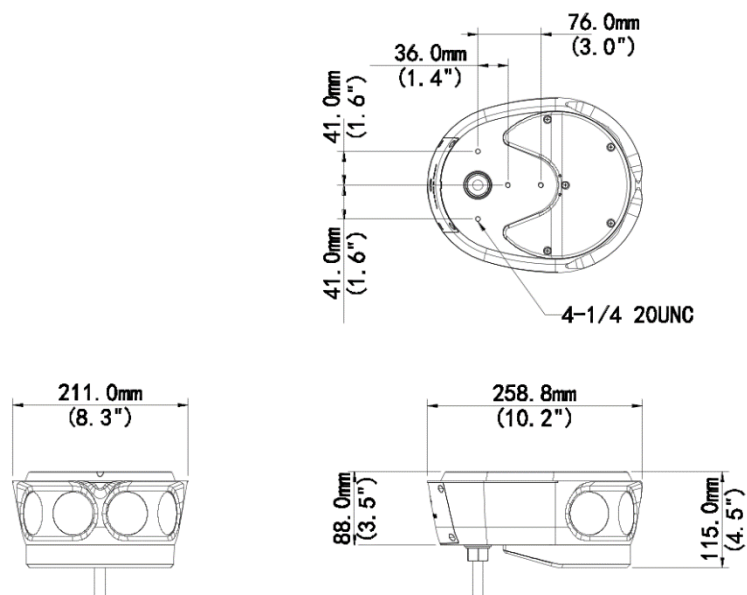
Specifications

| Camera | Description |
|---------------------------|---|
| Sensor | 1/1.8" CMOS |
| Min. Illumination | Colour: 0.001lux (F1.6, AGC ON) 0lux with IR |
| Day/Night | IR-cut filter with auto switch (ICR) |
| Shutter | Auto/Manual, 1 ~ 1/100000s |
| WDR | DWDR |
| S/N | >56dB |
| Lens | Description |
| Iris Type | Fixed |
| Focal Length | 2.8mm |
| Iris | F1.6 |
| Field of View (H) | 180° |
| Field of View (V) | 90° |
| Field of View (D) | 221.4° |
| DORI | Description |
| DORI Distance(Lens) | 2.8mm |
| DORI Distance(Detect) | 63.0m(206.7ft) |
| DORI Distance(Observe) | 25.2m(82.7ft) |
| DORI Distance(Recognize) | 12.6m(41.3ft) |
| DORI Distance(Identify) | 6.3m(20.7ft) |
| Illuminator | Description |
| Illumination Distance(IR) | 50m |
| Wavelength | 850nm |
| IR On/Off Control | Auto/Manual |
| Video | Description |
| Video Compression | Ultra 265; H.265; H.264; MJPEG |
| Frame Rate—Main Stream | 4800x2688, Max. 30 fps |
| Frame Rate—Sub Stream | 2688x1520, Max. 30 fps |
| Frame Rate-Third Stream | 1280x720, Max. 30 fps |
| Video Bit Rate | 128 Kbps ~ 16 Mbps |
| U-code | Support |
| ROI | Up to 8 areas |
| Video Stream | Triple Streams |
| OSD | Up to 10 OSDs |
| Privacy Mask | Up to 8 areas (8 blacks/ 8 mosaics) |
| Image | Description |

| | |
|-------------------------|--|
| White Balance | Auto; Outdoor; Fine Tune; Sodium Lamp; Locked; Auto2 |
| Digital Noise Reduction | 2D/3D DNR |
| Smart IR | Support |
| Flip | Normal; Flip Vertical; Flip Horizontal; 180° |
| HLC | Support |
| BLC | Support |
| Defog | Digital Defog |
| Heatwave Reduction | N/A |
| Events | Description |
| Basic Detection | Motion Detection; Tampering Alarm; Audio Detection |
| General Function | Watermark; IP Address Filtering; Access Policy; ARP Protection; RTSP Authentication; User Authentication; HTTP Authentication; Alarm Input; Alarm Output |
| Audio | Description |
| Audio Compression | G.711U; G.711A |
| Audio Bitrate | 128 Kbps |
| Two-way Audio | Support |
| Suppression | Support |
| Sampling Rate | 16KHZ |
| Storage | Description |
| Edge Storage | Micro SD, up to 512 GB |
| Network Storage | ANR; NAS (NFS) |
| Network | Description |
| Protocols | SSH; IGMP; RTP; RTCP; SMTP; IPv4; IPv6; ICMP; ARP; TCP; UDP; DHCP; PPPoE; RTSP; RTMP; DNS; DDNS; NTP; FTP; UPnP; HTTP; HTTPS; 802.1x; SNMP; QoS; SSL/TLS |
| Compatible Integration | ONVIF (Profile S, Profile G, Profile T); API |
| User/Host | Up to 32 users. 3 user levels: administrator, common user and operator |
| Security | TLS1.3; Password Protection; Strong Password; HTTPS Encryption; Export Operation Logs; Basic and digest authentication for RTSP; Digest authentication for HTTP; TLS 1.2; WSSE and digest authentication for ONVIF |
| Client | UNV-Link; UNV-Link Pro; EZStation |
| Web Browser | Plug-in required live view: IE 10 and above, Chrome 45 and above, Firefox 52 and above, Edge 79 and above; Plug-in free live view: Chrome 57.0 and above, Firefox 58.0 and above, Edge 16 and above |
| Interface | Description |
| Audio I/O | 1 Input: impedance 35kΩ; amplitude 2V [p-p]; 1 Output: impedance 600Ω; amplitude 2V [p-p] |
| Alarm I/O | 2/1 |
| Serial Port | 1 channel RS485 interface |
| Network | 10M/100M/1000M Base-TX Ethernet |
| Certification | Description |
| EMC | CE-EMC (EN 55032: 2015+A1:2020,EN 61000-3-3: 2013+A1: 2019,EN IEC 61000-3-2: 2019+A1: 2021,EN 55035: 2017+A11:2020) |

| | |
|---------------------|--|
| | FCC (FCC CFR 47 part15 B, ANSI C63.4-2014) |
| Safety | CE LVD (EN 62368-1:2014+A11:2017) UL (UL 62368-1, 2nd Ed., Issue Date: 2014-12-01) |
| Environment | CE-RoHS (2011/65/EU;(EU)2015/863); WEEE (2012/19/EU); Reach (Regulation (EC) No 1907/2006) |
| Protection | IP67 (IEC 60529:1989+AMD1:1999+AMD2:2013) |
| General | Description |
| Power | AC24V±25%/DC24V±25%, PoE(IEEE 802.3at) |
| Power Consumption | Max 23W |
| Power Interface | Wires with cold-pressed terminal |
| Dimensions | 258.8mmx211.0mmx115.0mm(10.2" x8.3" x4.5") |
| Weight | 2.271kg(5.01lb) |
| Working Environment | -40 °C ~ 70 °C (-40 °F ~ 158 °F), Humidity: ≤95% RH (non-condensing) |
| Storage Environment | -40 °C ~ 70 °C (-40 °F ~ 158 °F), Humidity: ≤95% RH (non-condensing) |
| Surge Protection | 6KV |
| Reset Button | Support |
| Web Client Language | 22 Languages Traditional Chinese, English, Simplified Chinese, Polish, German, Russian, French, Korean, Dutch, Czech, Portuguese (Europe), Portuguese (Brazil), Japanese, Thai, Turkish, Spanish (Latin America), Spanish (Europe), Hungarian, Italian, Vietnamese, Arabic, Slovak |

Dimensions



Zhejiang Uniview Technologies Co., Ltd.

No. 369, Xietong Road, Xixing Sub-district, Binjiang District, Hangzhou City, 310051, Zhejiang Province, China

Email: overseasbusiness@uniview.com; globalsupport@uniview.com

<http://www.uniview.com>

©2023-2024 Zhejiang Uniview Technologies Co., Ltd. All rights reserved.

*Product specifications and availability are subject to change without notice.

*Despite our best efforts, technical or typographical errors may exist in this document. Uniview cannot be held responsible for any such errors and reserves the right to change the contents of this document without prior notice.